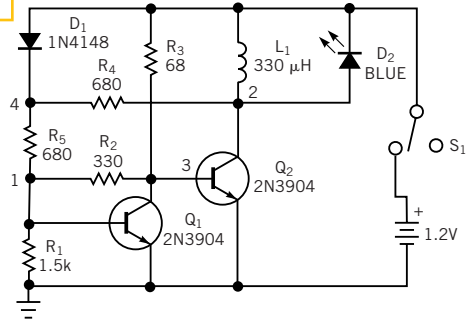


Figure 1



A simple circuit provides drive from a single cell to an LED of any type or color.